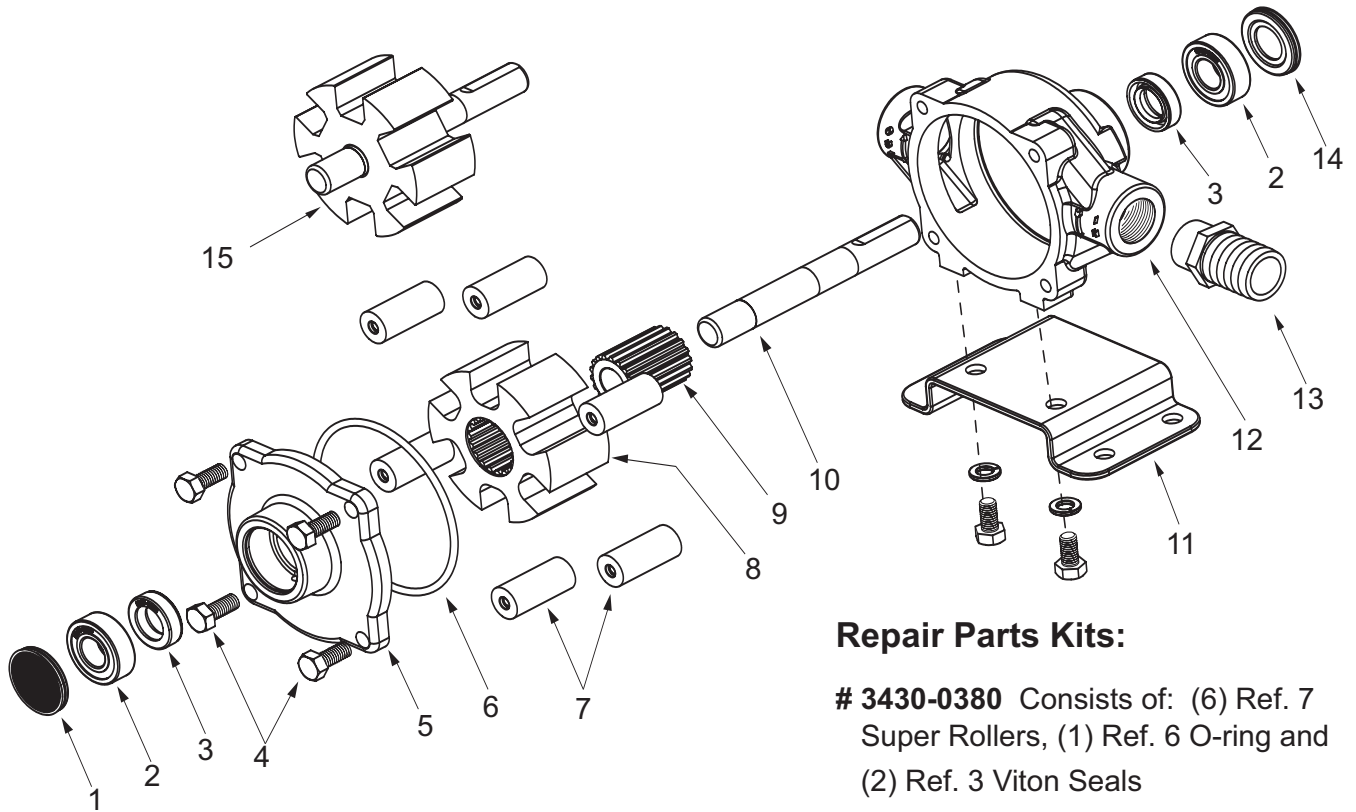


Series 6500



Repair Parts Kits:

3430-0380 Consists of: (6) Ref. 7 Super Rollers, (1) Ref. 6 O-ring and (2) Ref. 3 Viton Seals

3430-00175 Consists of: (6) Ref 7 Polypropylene Rollers, (1) Ref. 6 Oring, and (2) Ref. 3 Viton Seals

3430-0621 Consists of: (1) Ref 8 Phenolic rotor, (1) Ref 9 Metal insert and (1) Ref 10 Shaft

Note: When ordering parts, give quantity, part number, description and complete model number. Reference numbers are used ONLY to identify parts in the drawing and NOT to be used as order numbers.

See Page 17 for the proper coupler or adapter.

Ref. No.	Qty. Req'd.	Part No.	Description
1	1	2300-0021	Bearing Cover
2	2	2000-0010	Sealed Ball Bearing
3	2	2107-0002	Viton Seal (Standard)
3	2	2102-0001	Buna-N Seal (Optional)
4	4	2210-0004	Bolts
5	1	0200-6600C	Endplate (Cast-Iron) with seal
5	1	0200-6600N	Endplate (NI-Resist) with seal
5	1	0200-6600X	Endplate (SilverCast) with seal
6	1	1720-0008	Oring Gasket for Endplate
7	6	1005-0004	SuperRoller (Standard)
7	6	1002-0004	Polypropylene Roller (Optional)
7	6	1052-0004	Buna-N Roller (Optional)
7	6	1055-0004	Teflon Roller (Optional)
8	1	0401-6500P	Phenolic Rotor (Standard)

Ref. No.	Qty. Req'd.	Part No.	Description
9	1	1201-0018	Metal insert
10	1	0500-6500	Shaft
11	1kit	3420-0023	Base Kit - Includes: (1) Base, (2) Bolts and (2) Washers
12	1	0100-6600C	Body (Cast Iron) with seal
12	1	0100-6600N	Body (Ni-Resist) with seal
12	1	0100-6600X	Body (SilverCast) with seal
13	1	2404-0052	1" Hose Barb
14	1	2300-0023	Shaft Bearing Cover
15	1	N/A	Metal rotor assy: Replaced by kit 3430-0621 (Phenolic rotor assy)